



**CHARGE HUB**  
ELECTRIC VEHICLE CHARGING SOLUTIONS

---

ABU ChargingReel  
Nov 24 v1



**The ABU Charge-Reel guarantees the safe, reliable and convenient overhead supply of a high charging current to electric vehicles!**

The ChargingReel can be supplied as a spring or motor-driven solution, supplying up to 300A (200kW) and at a 10m length, deployed from overhead gantry systems in the areas of commercial vehicles, bus depots, vehicle fleets and public services.

Manufactured in Germany



# Key features

1. Spring or Motor driven versions available
2. Flexible reel body diameters for perfect fit.
3. No extra costs for design adjustments in accordance to cable length and installation space.
4. Low weight solutions by using aluminum components.
5. Control options by manual or remote options.
6. Different colour designs and/or galvanized parts.
7. All units come pre-assembled, wired and configured.

Charge Hub are the exclusive Sales Partner for ABU for Australia and New Zealand





# Spring Driven ChargeReel

# Spring Driven ChargeReel

Standard configuration:

<b>Winding length:</b>	4.4m
<b>Tension relief:</b>	1.3m
<b>Connection length SRA:</b>	1.3m
<b>Total length:</b>	7m
<b>Cable type:</b>	K.1
<b>Charging plug:</b>	CCS type 2
<b>Cross section:</b>	2 x 70 mm <sup>2</sup> + 1 x 35 mm <sup>2</sup> + 3 x 2 x 0.75 mm <sup>2</sup>
<b>Operating voltage:</b>	1000V DC
<b>Number of layers:</b>	4
<b>Spring Type:</b>	G. Spring tension: max. 20 kg, with return motion locking
<b>Total weight:</b>	120kg (with charging cable)

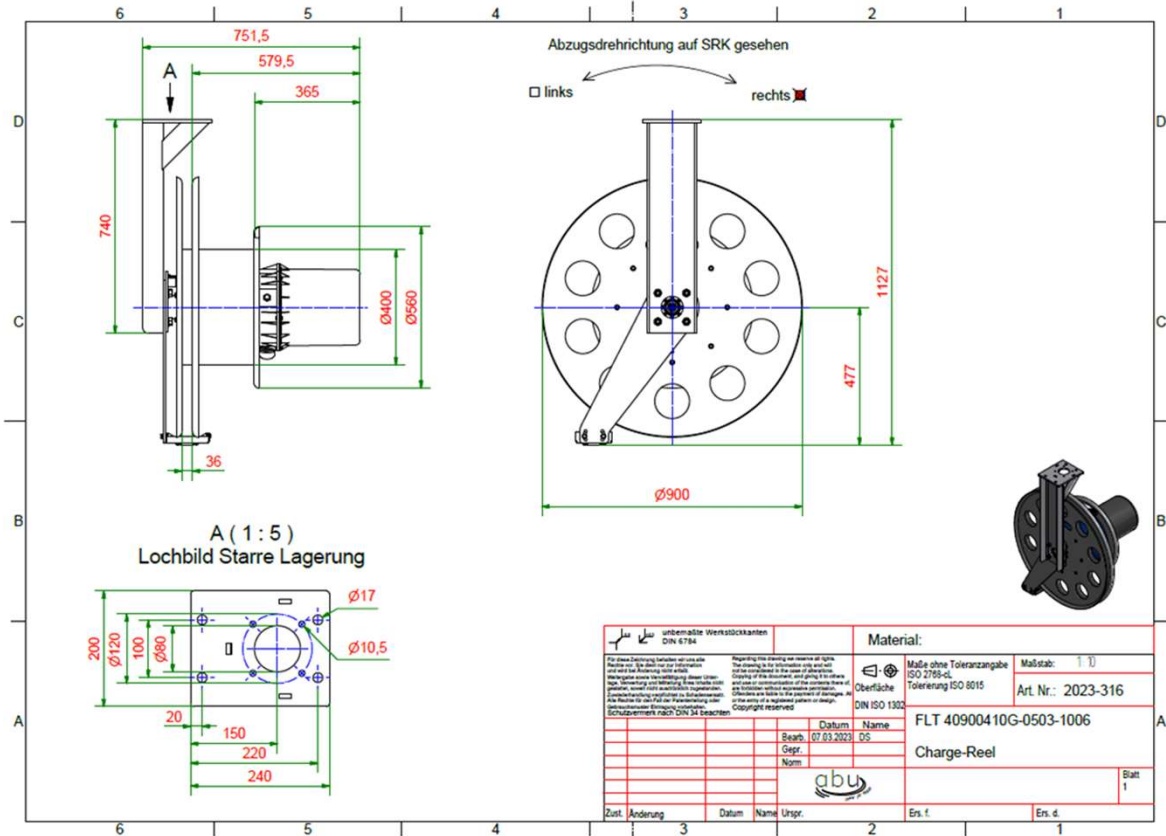




# Spring Driven ChargeReel



Video of Operation:



# Motor Driven ChargeReel

# Motor Driven ChargeReel



Standard configuration:

<b>Winding length:</b>	4.4m
<b>Tension relief:</b>	1.3m
<b>Connection length SRA:</b>	1.3m
<b>Total length:</b>	7m
<b>Cable type:</b>	K.1
<b>Charging plug:</b>	CCS type 2
<b>Cross section:</b>	2 x 70 mm <sup>2</sup> + 1 x 35 mm <sup>2</sup> + 3 x 2 x 0.75 mm <sup>2</sup>
<b>Operating voltage:</b>	1000V DC
<b>Number of layers:</b>	4

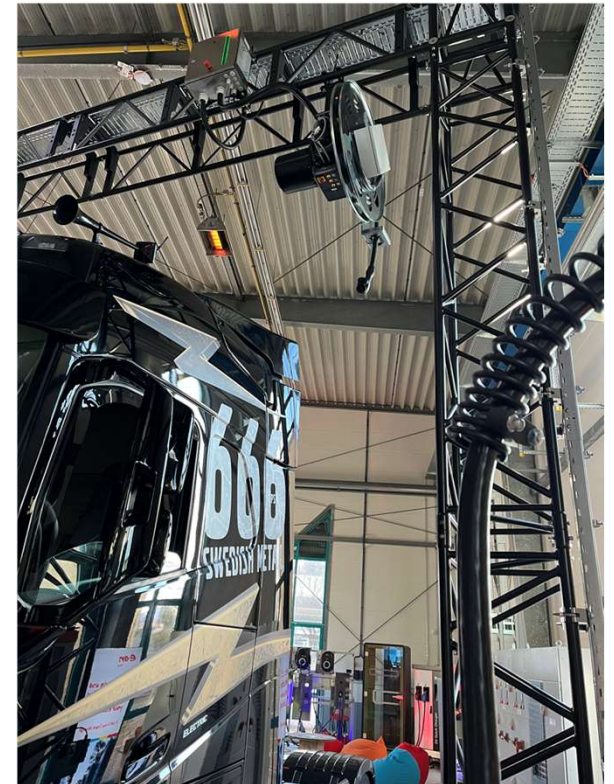




# Motor Driven ChargeReel

Standard Cable Reel Control:

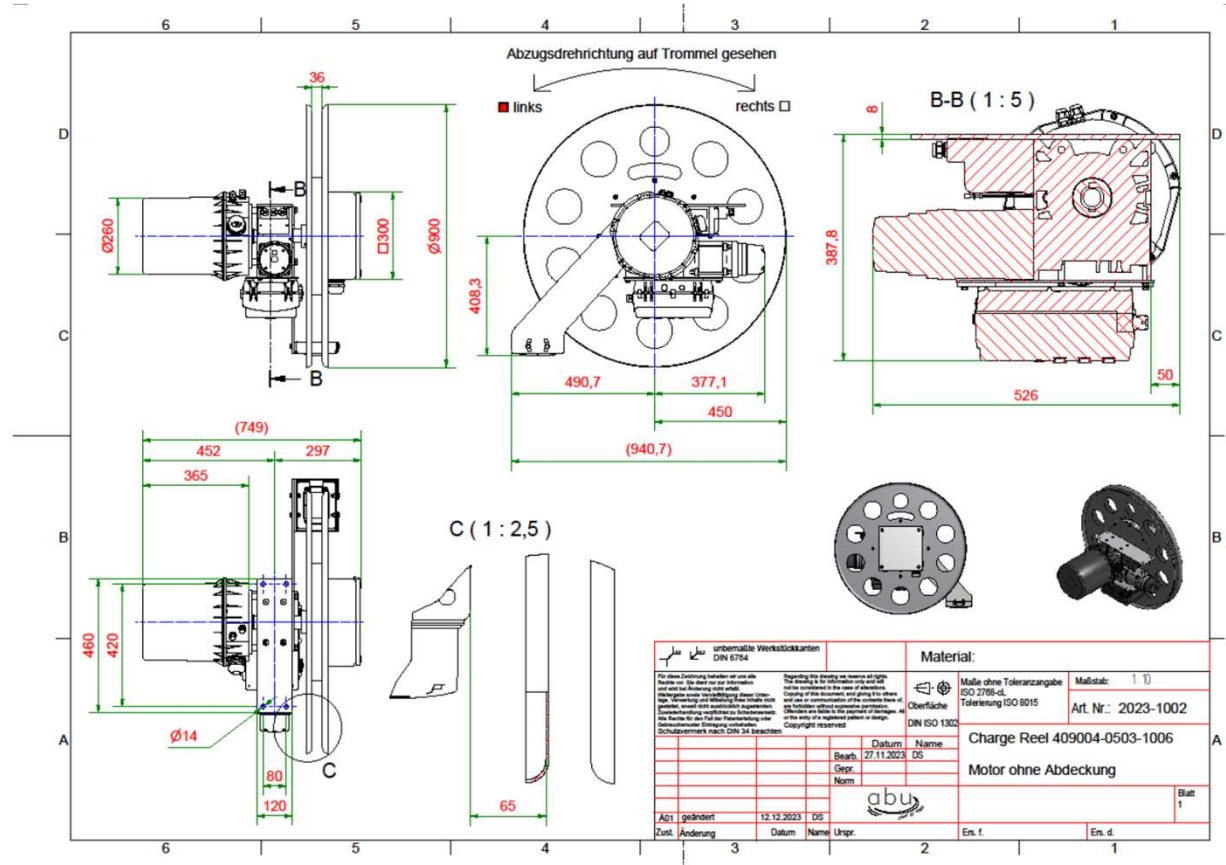
Type:	C.1.2
Mounting:	At the drive
Power:	Max 2.2kW
Protection Class:	IP65
Voltage:	400V 3 phase
Control Voltage:	24V
Frequency:	50 Hz
Emergency crank:	yes
Fuse:	3 x 10A circuit breaker



# Motor Driven ChargeReel



Video of Operation:



# General Specification:



## Environmental conditions:

Environmental temperature:	- 10 °C to + 45 °C
UV resistance:	Direct solar radiation needs to be prevented
Air humidity:	Close to 100%
Environment:	Dusty

## Regulations and standards:

	IEC, DIN, VDE
Charging cable:	DIN EN 50620
Charging plug:	CCS type 2 (IEC 62196-3)

**Warranty:** 24 mths after commissioning, max. 36 mths after delivery ex works.  
Excluded from this warranty are wear parts like cables, springs, bronze carbons, etc.



# DC Charging Cable Specification:



<b>Manufacturer:</b>	Harting (Germany)
<b>Charging standard:</b>	Combined Charging System Type-2
<b>Standards and Regulations:</b>	IEC 62196-1, IEC 62196-3
<b>Ambient temperature (operation):</b>	-25°C ... +50°C

## Cable Size Options:

<b>2 x 50mm<sup>2</sup>:</b>	Up to 200A
<b>2 x 70mm<sup>2</sup>:</b>	Up to 250A
<b>4 x 50mm<sup>2</sup>:</b>	Up to 300A

## Calculation for necessary cable length:

- Connecting slipring assembly 1.3m
- Winding tension relief 1.3m
- Winding length (?)m
- Free length for connecting 0.4m



# References (as of Oct 24):



ChargeReels delivered in the last 5 years

ChargeReels with motorised drive			ChargeReels with spring drive		
Year	Quantity	Location	Year	Quantity	Location
2020	29	Germany		6	Germany
2021				6	Germany
				24	Netherlands
2022	181	France (Paris)		23	Switzerland
2023	32	France (Paris)		44	Germany (Karlsruhe)
	3	Germany		23	Germany
				6	Netherlands
				5	Switzerland
2024	3	Germany		31	Netherlands
	153	France (Paris)		9	Poland
				2	Germany



24/7 Sales & Support - 1300 98 67 67

[sales@chargehub.au](mailto:sales@chargehub.au)

[support@chargeub.solutions](mailto:support@chargeub.solutions)

[www.chargehub.solutions](http://www.chargehub.solutions)